



prolift 230T

garage door opener
for overhead sectional
and one piece tilt doors

User manual



Important safety instructions for operation

It is vital for the safety of persons to follow all instructions. Save these instructions.



WARNING Do not allow children to play with door controls. Keep remote controls away from children. The appliance is not intended for use by young children or infirm persons without supervision.



Watch the moving door and keep people away until the door is completely opened or closed.



Use caution when operating the manual release with the door open since it may fall rapidly due to weak or broken springs or an imbalanced door.



Do not use the manual release cord to pull the door open. The cord or release may break under load.



Frequently examine the installation, in particular cables, springs and mountings, for signs of wear damage or imbalance. Do not use if repair or adjustment is needed since a fault in the installation or an incorrectly balanced door may cause injury.



Each month check that the drive reverses when the door contacts a 40mm (50mm for UK) high object placed on the floor. Adjust if necessary and recheck since an incorrect adjustment may present a hazard.



Disconnect electric power to the garage door opener before making any repairs or removing any side covers.



To prevent fire or shock hazard, do not expose the opener to rain or moisture.



To avoid electrical shock do not open the cabinet without disconnecting the opener from the mains.

Welcome

Thank you for purchasing the Merlin Prolift sectional or tilting door opener. This product combines convenience with security.

You can operate the door from a remote control radio transmitter or from a push-button inside your garage. One touch of the remote control button or internal push button will activate the opener and the door will open (or close) automatically. The door may be stopped in any position during the opening cycle by simply depressing either button. You may close the door by depressing the button again.

This ruggedly built garage door opener will provide years of safe and dependable service. Please take a moment to complete and send in the warranty card included with this product. Also please note your serial number and purchase details. We are proud of our product and want to provide the best after sale service possible.

Please feel free to contact us if you have any suggestions or comments.

Manually operating the door

The garage door opener can be disengaged from the garage door to enable the door to be operated manually.

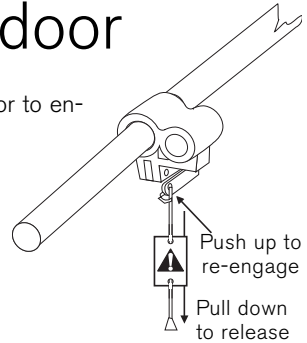
! WARNING Door may move suddenly when released. Do not use the manual release cord to pull the door open. The cord or release may break under load.

To disengage the opener

Pull the release cord down.

To re-engage the opener

Push the lever (attached to the red release cord) upwards and move the door manually to allow the torpedo to engage inside the trolley.



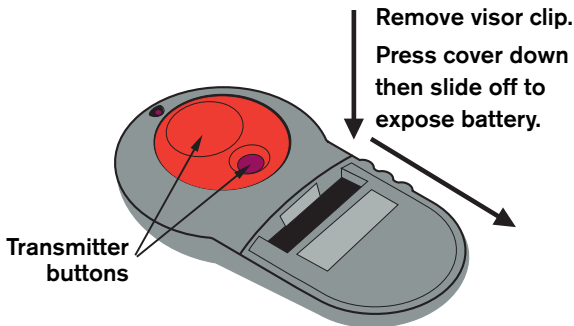
Release cord and lever

Operating from a remote control transmitter

Your remote control transmitter has two buttons. One large button and one small button. You can control two products or two functions with the two buttons. For example a gate opener and a garage door opener.

A press on the a remote control transmitter button will open, stop or close the door

If your remote control transmitter has no effect, move closer to the opener. Radio signals can be blocked or reduced by many external factors. There is a battery inside the remote control transmitter which requires periodic replacement. A fresh battery will give better performance than an old battery.

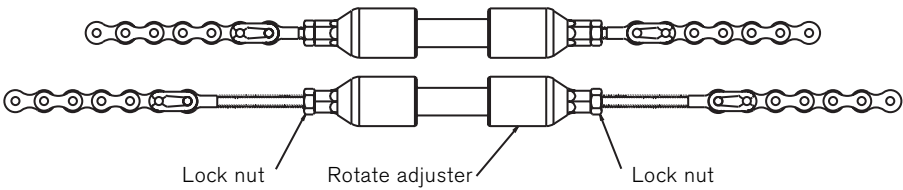


Operating from a wired wall control box

Repeated pushes of the large button cause the door to open, stop and close. The small button turns the lamp on or off until the next door operation.

Adjusting the chain tension

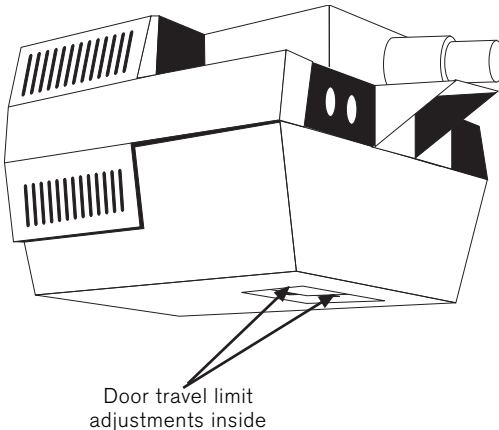
The chain is correctly tensioned when it sags no lower than the bottom of the pole. After tensioning, tighten any locking nuts.



Adjusting the door travel limits

Please read this section fully before beginning any of the procedures.

NOTE Repeated operation of the opener in a short period of time may trigger the thermal cutout of the motor. In this case you will have to wait for approximately five minutes for the motor to cool sufficiently to continue the installation process. If the unit has overheated you will hear the relays clicking in response to the transmitter or pushbutton but the motor will not operate. After cooling down, normal operation is able to resume.



The travel of the door is set by adjusting two screws at the bottom of the opener. These screws are inside the light cover and are marked as up limit and down limit. There are arrows indicating which direction to adjust for more travel in either direction. One full turn of either screw results in around 250mm of trolley travel. Always run the opener to place the door at least 500mm from the appropriate limit before making any adjustment.

The up limit travel should only require minor adjustments. Take care not to allow the door to travel out of its tracks or beyond its normal range

of movement. For doors with tracks, allow a safety margin of at least 50mm to prevent the guide wheels from travelling out of their tracks.



WARNING The door is not safe for unsupervised operation until the force sensitivity has been set.

Adjusting the force sensitivity

The force sensing is not preset and must be set correctly to suit your door.

STEP 1:

Remove the lamp cover, and the green control panel cover.

STEP 2:

Identify the green and the red control knobs marked open-force and close-force. Note: The opener can be set to either determine its own safe operating force level, or it can be set to allow a deliberately greater amount of force to be applied to the door.

STEP 3:

To set the force levels automatically, press the 'program' button and ensure the force control knobs are both fully anti-clockwise. Ensure that the door is engaged to the opener. Then operate the opener to move the door in a single unobstructed movement from one limit position to the other. If no obstruction was sensed during this cycle then the opener will save the settings to memory. Operate the opener to move the door back to the original limit position. Again, if no obstruction is sensed, the settings will be stored in memory.

STEP 4:

To set the force levels at some higher level, rotate the control knob to some position clockwise from the auto-setting point.

STEP 5:

If a very light door is being operated, and if a very gentle closing force is required, then set the option switch marked 'Light door' to the ON position. Note that on a heavier door this option switch position may result in unintended detections of obstructions.

CAUTION Regularly check the force sensitivity feature using a 40mm (50mm for UK) or greater block of wood as an obstruction. The door should reverse promptly on contact. Adjust down force as required.

Setting up wireless controls

Wireless controls can operate the opener, or the opener's courtesy lamp, by sending coded radio signals. These coded signals use high-security code-hopping.

Wireless controls can be hand-held or fixed to walls, such as a wireless keypad, or a wireless wall-switch.

Up to 25 Merlin wireless controls can be learned by the opener. After this, the 25th wireless control is over-written in the opener's memory.

All wireless controls can be deleted from the opener's memory.

There is a learn button on the underside of the opener inside the lamp cover. The small button on a Merlin M-122 wired wall-switch can also be used as the learn button.

If a setting is enabled in the opener, then it is possible to use any existing learned wireless control as a learn button. (See separate section following.)

Remove the lamp cover by turning the catch on its underside. Remove the green control panel cover to expose the setup controls. Identify the red learn button.

To learn a remote button to operate the opener:

Press the learn button for 1-2 seconds, until the courtesy lamp begins to flash slowly.

Press the desired remote button, wait 1 second, press the desired remote button again. The courtesy lamp will stop flashing once learning is complete.

To learn one remote button to operate the opener and another to operate the lamp:

Press the learn button for 1-2 seconds, until the courtesy lamp begins to flash slowly.

Press the desired remote button for control of the opener, wait 1 second, press the desired remote button for control of the courtesy lamp. The courtesy lamp will stop flashing once learning is complete.

To delete all remote controls from the opener's memory

Press and hold the learn button for eleven seconds, until the courtesy lamp stops flashing. After six seconds it will flash fast as a warning. If you release the learn button during this warning period then the memory will not be wiped.

Remote transmitter learning

Remote Transmitter Learning (RTL), when enabled, allows any existing learned wireless control to be used as a learn button for the learning of additional wireless controls. Note that this feature trades convenience for security. If it is chosen to disable RTL (the default setting at manufacture is enabled) then the level of security is increased.

To enable or disable RTL:

Remove the lamp cover by turning the catch on its underside. Remove the green control panel cover to expose the setup controls. Identify the red learn button and the black program button.

Hold both of these buttons down for three seconds until the courtesy lamp begins to flash. Release both buttons.

Six flashes confirms that RTL is now enabled.

Four flashes confirms that RTL is now disabled.

To place the opener in learn mode using RTL:

Select any two or four button Merlin hand held remote control that is already learned in to the opener. Call this the master remote.

Press the master remote north and south buttons together for 2-3 seconds.

The courtesy lamp on the opener will begin to repeat a cycle of flashing three times and pausing. If you have several openers that operate from this master remote, then all these openers will begin to flash their courtesy lamps.

Press the button on the master remote that would normally operate the desired opener. Now that opener will go into learn mode, and any other openers that were flashing will return to their normal standby state.

The courtesy lamp on the opener that is in learn mode will begin to flash slowly. If no signals are received for 20 seconds, the opener will revert to its normal standby state.

To learn a button to operate the opener:

Press the desired remote button, wait 1 second, press the desired remote button again. The courtesy lamp will stop flashing once learning is complete.

To learn one remote button to operate the opener and another to operate the lamp:

Press the learn button for 1-2 seconds, until the courtesy lamp begins to flash slowly.

Press the desired remote button for control of the opener, wait 1 second, press the desired remote button for control of the courtesy lamp. The courtesy lamp will stop flashing once learning is complete.

Troubleshooting

There are no user serviceable parts inside the opener. The power cord is not intended for replacement by the user. Please refer to your Merlin dealer in the event that replacement is required. Contact your Merlin dealer or Authorised Merlin Installer for any service requirements.

Opener does not work at all.

May be no power. If the lamp is still on then the motor may have temporarily shut off to cool down.
SOLUTION: Plug another appliance into the power point to check power. Wait five minutes for the motor to cool.

Courtesy lamp flashes when door stops.

This is a warning that your door was obstructed and couldn't reach its normal stopping position. It may also be a warning that the door has become very heavy to operate.

SOLUTION: Look for anything blocking the beam sensor. Is the beam aligned correctly? Release the manual release and check the door can be operated easily by hand. Get your door repaired or serviced if it is heavy to move by hand.

Transmitter range is shorter than normal.

Your transmitter battery may be going flat. The antenna wire out of the door opener may be damaged.
SOLUTION: Replace the transmitter battery. Uncoil the antenna wire if it is coiled up.

Transmitter doesn't work some times.

There may be occasional radio interference in your area. Your transmitter battery may be going flat.
SOLUTION: Check for other interfering wireless products. Replace the transmitter battery.

Transmitter doesn't work at all.

Your transmitter battery may be flat. Transmitter may not be learned.
SOLUTION: Replace the transmitter battery. Learn transmitter.

Wall button doesn't work.

Switch or wiring may be broken or damaged. Connection may be loose.
SOLUTION: Replace switch. Replace wiring. Check connections each end.

Door operates unexpectedly.

A transmitter may be operated accidentally.
SOLUTION: Check all of your transmitters to be sure they are not being operated by items placed on top of them.

Door is open when you arrive home, yet you pressed the button to close it when leaving.

Door may have sensed an obstruction and automatically reversed to the open position.
SOLUTION: Make sure you watch the door close fully before driving away. Do not rely on auto-closing, there are many safety over-rides which can prevent it from operating.

Door stops part way up.

There is an obstruction being sensed. Settings for force sensitivity or door travel limits may have been altered.

SOLUTION: Pull the manual release and check that the door can be operated easily by hand through the full range of movement. Adjust or repair the door. Make the opener less sensitive by adjusting force sensing.

Door closes partly then opens again by itself.

There is an obstruction being sensed. Settings for force sensitivity may have been altered.

SOLUTION: Pull the manual release and check that the door can be operated easily by hand through the full range of movement. Adjust or repair the door. Make the opener less sensitive by adjusting force sensing

Courtesy lamp does not go.

Bulb may be blown.

SOLUTION: Remove the lamp cover and replace the bulb.

Door or opener has become more noisy.

Door may be worn. Chain may be loose. Mountings may be loose.

SOLUTION: Pull the manual release and check that the door can be operated easily by hand through the full range of movement. Adjust, lubricate or repair the door. Adjust the chain tension. Check the mountings.

Auto-closing doesn't work any more.

Beam sensor may not be functioning correctly.

SOLUTION: Check beam is aligned. Check for damage to the sensors or wiring.

Fault feedback

LED flashes

The green and red LEDs under the green control panel cover display the status of the opener, and can be used to diagnose common causes of problems.

- Green continuous = at open limit
- Red continuous = at closed limit
- Red slow flash = closing
- Green slow flash = opening
- Both slow flash = obstructed during last operation
- Red flickering = receiving a Merlin remote control
- Both flickering = receiving a learned Merlin remote

Main lamp flashes

- 1 on-flash, pause, repeating = in learn mode
- 1 off-flash, pause, repeating = in 'set limits' mode
- 3 on-flashes, pause, repeat = in pre-learn mode
- on-off fast flashing = about to wipe all remotes from memory
- 4 slow off-flashes = obstructed during last operation
- 4 slow off-flashes = just disabled Remote Transmitter Learning
- 6 slow off-flashes = just enabled Remote Transmitter Learning

Specifications

Replacement light bulb	E27 45mm Round, 40W maximum, RC preferred
Mains power required	220V to 240 V, 50 Hz, single phase AC, earthed
Stand-by power consumption	3W maximum
Operating power consumption	900W maximum
Rated force	770N maximum

Warranty - please return your warranty card

Garage Door Opener Limited Warranty

Merlin warrants to the original purchaser ("the Buyer") that the Merlin garage door opener ("the Unit") sold under this warranty will be free from defects in materials and workmanship for a period of 24 months from date of purchase.

Accordingly if the Unit fails due to defects in materials or workmanship within the warranty period Merlin will, provided the defective part or Unit is returned freight and insurance prepaid and well packaged to the nearest address listed in this manual, undertake to repair or, at its option replace, any defective part or Unit and return it to the Buyer at no cost. Repairs and replacement parts are warranted for the remaining portion of the original warranty period.

Limited warranty on motor. After 24 months and through to 60 months, Merlin will furnish a replacement motor, if it is found to be defective; free of charge. Labour costs will be charged.

Where the Unit has been installed by an authorised installer, Merlin Garage Openers Limited will furnish replacement parts free of charge through the authorised installer. A service fee on site service may apply.

LIMITATIONS It expressly excludes any batteries or light bulbs and malfunctions or defects to the Unit or its operation due to any of the following:

- A Failure to observe installation, adjustment, maintenance or operating instructions provided with the Unit;
- B Incorrect installation, operation or adjustment of the garage door to which the Unit is fitted;
- C Connection to any garage door outside the specifications set out in the owners manual;
- D Any modification or repair to the Unit carried by a person not authorised to do so by Merlin;
- E Radio or any other electrical or electronic interference;
- F Faulty or unsuitable electrical wiring of the building to which the Unit is attached;
- G Faulty or flat batteries in the remote control transmitter;
- H Where the defect is due to: conditions other than normal domestic use or dirt, misuse, neglect, fire, accident, electrical storm or other act of God.

This warranty is void if the serial number has been altered, defaced or moved.

The liability of the Distributor for any loss or damage or injury arising directly or indirectly from any defect in the goods supplied is limited to the replacement or repair of such goods or to damages not exceeding the invoice value of such goods at the option of Merlin Garage Openers Limited.

FUTURE MODIFICATIONS Merlin Garage Openers Limited may modify any existing or future model of the Unit without the obligation to incorporate these modifications into Units already manufactured or into the Unit to which this warranty applies.

GENERAL This warranty is the only Warranty made by Merlin Garage Openers Limited. All other warranties, representations and conditions of any kind, express or implied, are hereby excluded. Nothing in this warranty is intended to have the effect of contracting out of the provisions of the Consumer Guarantees Act (1993) except to the extent provided by that Act and all provisions of this warranty shall be read and modified to the extent necessary to give effect to that intention. This warranty does not deprive the Buyer of any rights conferred upon them by any applicable law or statute in their country of purchase.

Proof of date of purchase may be required when making a claim under warranty. In the event that the Buyer is unable to provide adequate proof of purchase the date of warranty will apply from date of shipment from the Distributor to the Reseller.

NOTE We request that you attach your sales docket or invoice to this manual to enable you to establish the date of purchase in the unlikely event of a service call being made.

In-warranty service

During the warranty period, if the product appears as though it may be defective, call our toll free service before removal of the unit. A Merlin technician will diagnose the problem and promptly supply you with the parts for “do-it-yourself” repairs, or provide you with shipping instructions for a factory repair or replacement. If an Authorised Installer installed your unit you must call them for prompt on-site service.

After warranty

Need help after the warranty period? Need help obtaining parts, service and accessories? See your yellow pages or phone Merlin toll free.

Merlin service centres

New Zealand

Auckland phone 09 415 4393

Phone toll free 0800 653 667 or 0800 MERLIN

Fax toll free 0800 653 663

Australia

NSW, Vic, Qld, WA

Phone toll free 1 800 638 243

Fax toll free 1 800 640 243

England

Phone toll free 0800 073 0112

Fax toll free 01709 514 534

www.merlingo.com

Merlin does not accept responsibility for damage or injury resulting from installing this opener. Merlin reserves the right to change the design and specification without prior notification. Some features or accessories may not be available in certain markets or areas. Please check with your distributor.